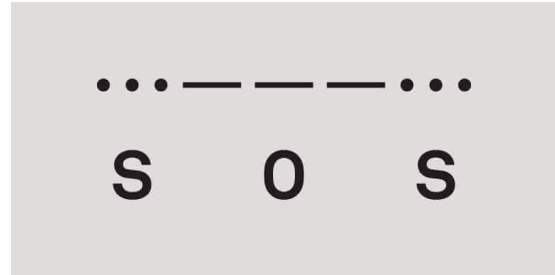
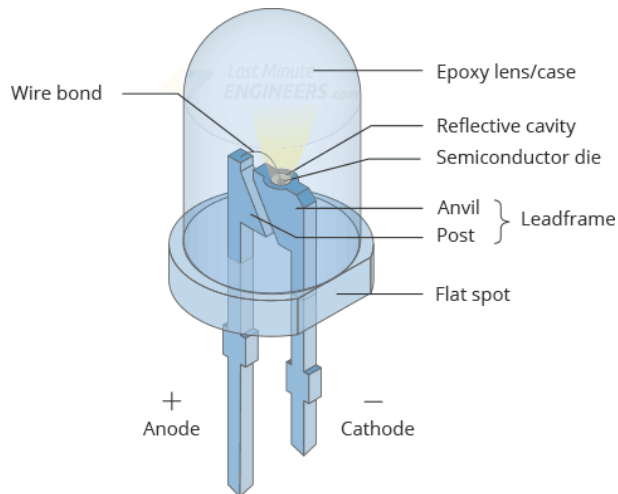


## COM310 - Controller Project

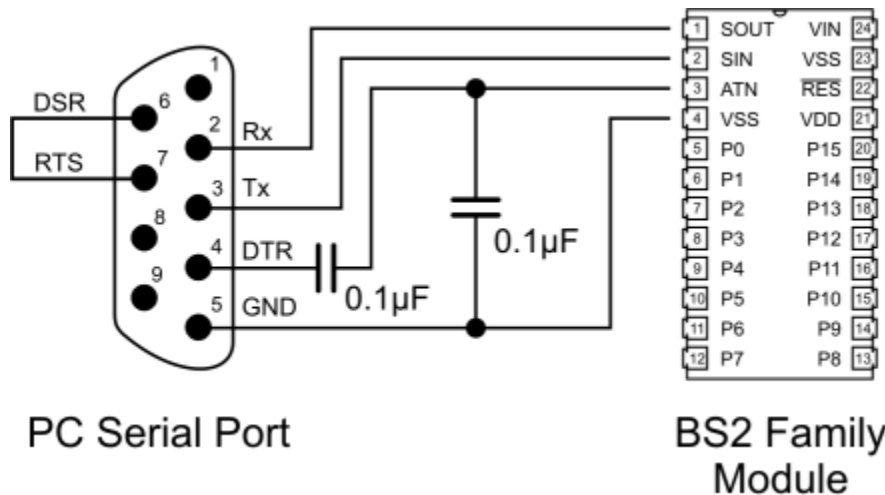
The goal of this project is to use a microcontroller or SBC to send an SOS signal in morse code using an LED. You can use any microcontroller or SBC in the lab besides the Jetson.



### Basic Stamp 2

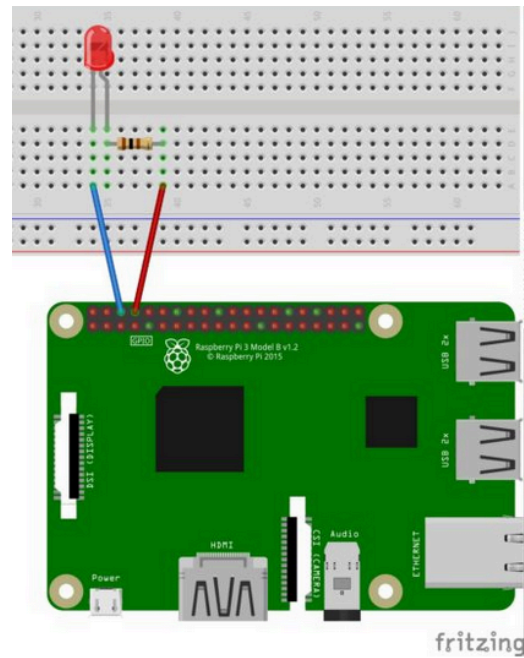
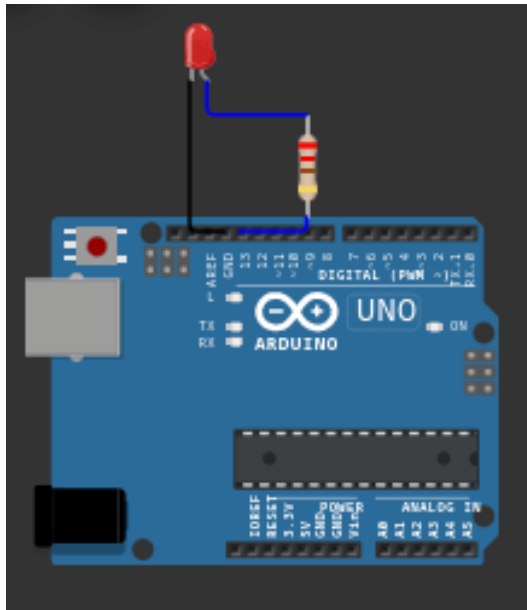
Programming and Run-time Communication Connections for all BS2 models

Though it is not shown, power must be connected to the BASIC Stamp to program it. Note that the programming connections for the 40-pin BS2p40 are the same as for the 24-pin BS2 models. DONT worry about the capacitors in the serial port connection, those connectors are already built and in the lab.



## Arduino

There are many tutorials for the Arduino UNO to flash an LED. The LED can be wired as below. USB cables to connect to your laptop are in the lab, as are the AC adapters.



## Raspberry Pi

The LED can be wired as above. You can plug the Raspberry Pi into a wall socket if you have an AC adapter, or wire it into one of the existing power supplies.